



# AMCO

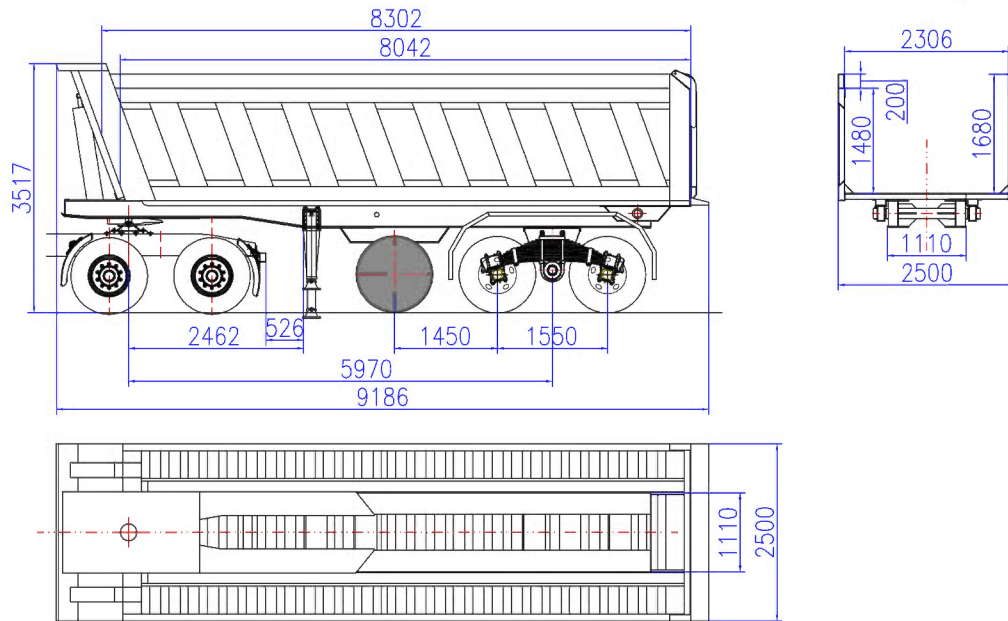
International Modern Industry

## Tipper Semi-Trailer

TIP-ST-FS1-B20-32

32m<sup>3</sup> / 2-3 Axles





### CHASSIS CONSTRUCTION

- Longitudinals from high tensile steel (S355 or equivalent), hot-rolled beams
- Reinforcement flanges under main longitudinals at neck level
- Transverses flanges meeting longitudinal flanges
- All welding done in flat position
- High tensile steel plating for tipper box incl. three parts rear gate with manual latching lock
- Close floor transverses spacing
- Heavy duty rear swivel along the width of the chassis, with central stabilizer for safe tipping
- Angle bars on floor and sides of the inside of the box

### RUNNING GEARS & SUSPENSIONS

- Heavy duty wide forged square hollow axles 2x18T + 1x14T @105 Km/hr
- Heat treated bearing seats
- Boogie suspension system at rear and liftable air suspension system on the front
- Forged axle/spring seats
- Thick high tensile steel equalizing box

### WHEELS & TIRES

- Offset wheels of 22.5x9 size on all axles
- High quality 20PR 315/80R22.5 radial tires

### BRAKES

- Two line air brake system
- Drum with good heat conductivity
- Air vessel with minimum needed volume
- Emergency relay valve
- Slack adjuster

### TOWING SYSTEM

- 3 1/2" King pin, forged and heat treated
- Reinforced pick-up plate

### LANDING GEAR

- High tensile steel outer envelop.
- Two speed, telescopic type, manually operated with universal base plates
- Needed static and lifting capacity
- Forged gears and internal parts

### HYDRAULIC SYSTEM

- Five stages telescopic piston with quick release coupling connected to piston

### PAINTING WORK & FINISH

- Structure primed with synthetic coating
- Synthetic enamel finish according to client request

### ELECTRICAL OUTFIT

- Complete 24 volts electrical outfit with 7 poles socket and protected distribution cables
- Protected combined double rear lights including stoplight and direction indicator
- Position lights on sides

### STANDARD ACCESSORIES

- Steel tool box
- Spare wheel carrier if space available
- Steel mudguards and bumper