



AMCO

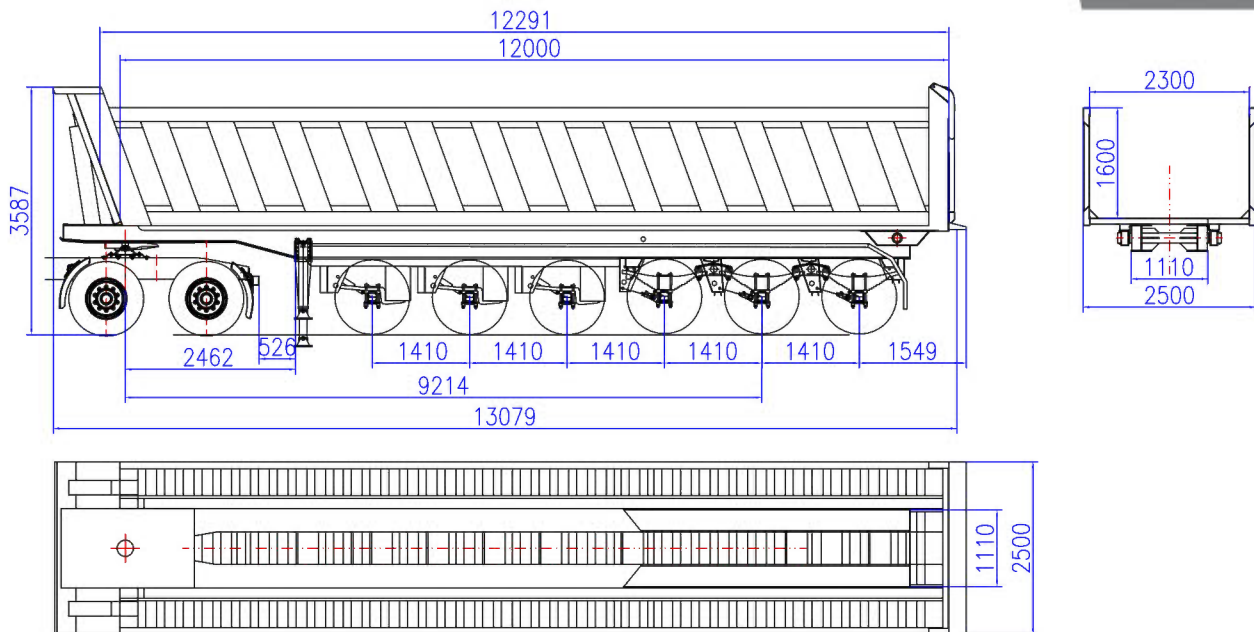
International Modern Industry

Tipper Semi-Trailer

TIP-ST-FS1-V60-45

45m³ / 3-4-5-6 Axles





Dimensions are not final and will be according to availability

CHASSIS CONSTRUCTION

- Longitudinals from high tensile steel (S355 or equivalent), hot-rolled beams
- Reinforcement flanges under main longitudinals at neck level
- Transverses flanges meeting longitudinal flanges where possible
- All welding done in flat position
- Thick steel plating for tipper box incl. one part rear gate with manual lock
- Close floor transverses spacing
- Heavy duty rear swivel along the width of the chassis, with central stabilizer for safe tipping

RUNNING GEARS & SUSPENSIONS

- Amco Heavy duty wide square hollow axles 3 x 18T @ 105Km/hr at rear
- Amco 1st and 2nd and 3rd axles 14T @ 105 Km/hr
- Heat treated bearing seats
- Amco VB version heavy duty multi-leaf suspension system for last 3 axles
- Amco heavy duty air suspension system for remaining axles
- Thick high tensile steel equalizers and hangers

WHEELS & TIRES

- Wheels of 22.5x9.00 size on all axles, Qty: 24
- High quality 20PR 315/80R22.5 radial tires, Qty: 24

BRAKES

- Two line air brake system
- Drum with good heat conductivity
- Air vessel with minimum needed volume
- Emergency relay valve
- Slack adjuster

TOWING SYSTEM

- 3 1/2" King pin, forged and heat treated
- Reinforced pick-up plate

LANDING GEAR

- Two speed, telescopic type, manually operated with universal base plates
- Needed static and lifting capacity
- Forged gears and internal parts

HYDRAULIC SYSTEM

- Six stages telescopic piston with quick release coupling connected to piston

PAINTING WORK & FINISH

- Chassis primed with synthetic coating
- Synthetic enamel finish according to client request

ELECTRICAL OUTFIT

- Complete 24 volts electrical outfit with 7 poles socket and protected distribution cables
- Protected combined double rear lights including stoplight and direction indicator
- Position lights on sides

STANDARD ACCESSORIES

- Steel tool box where possible
- Spare wheel carrier where possible
- Steel mudguards and bumper

OPTIONAL ACCESSORIES

- Hydraulic set for tractor head